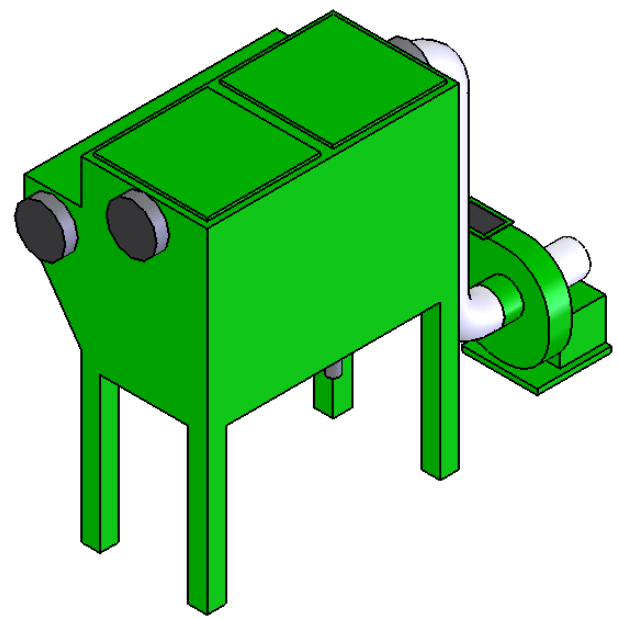
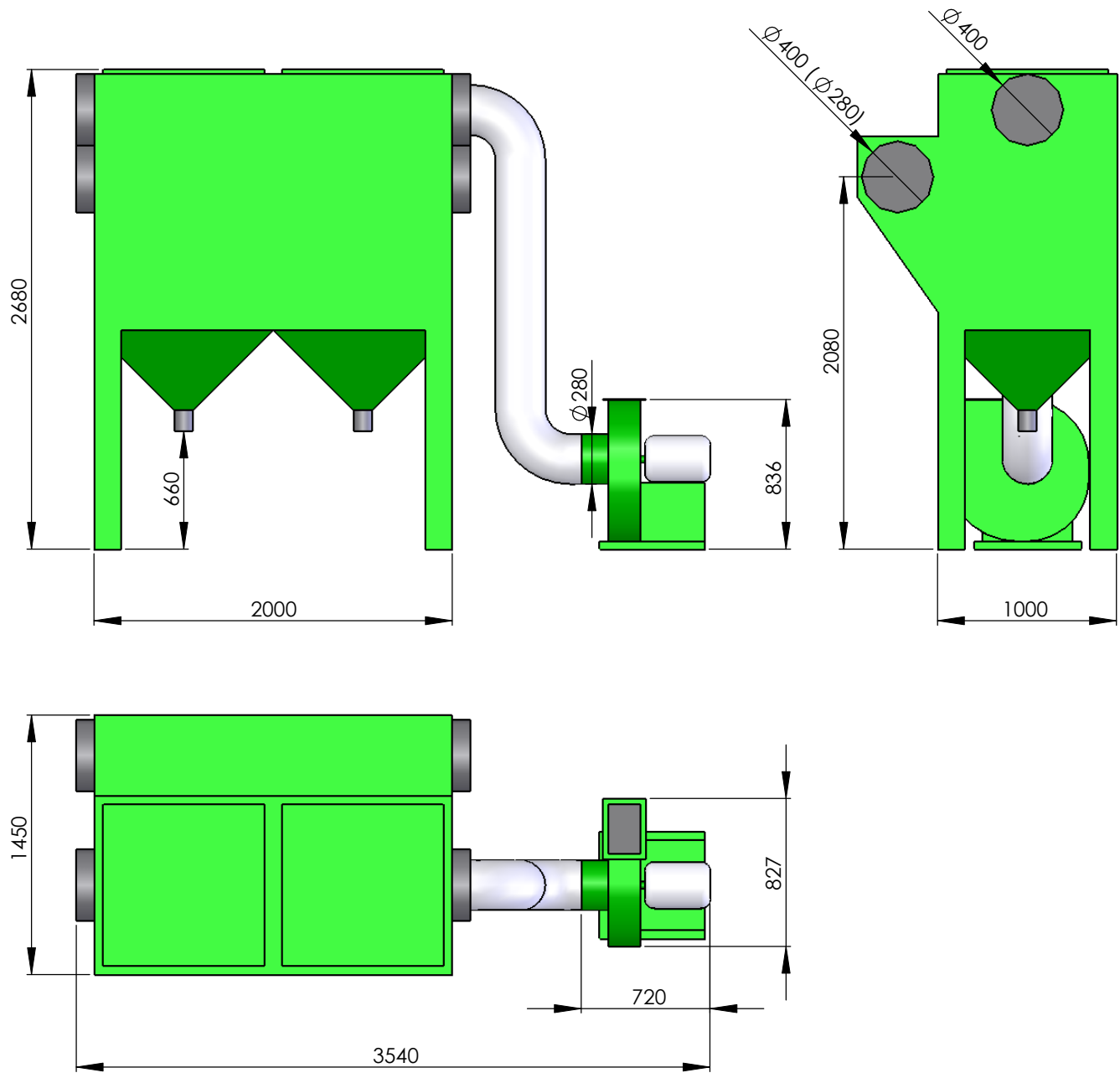


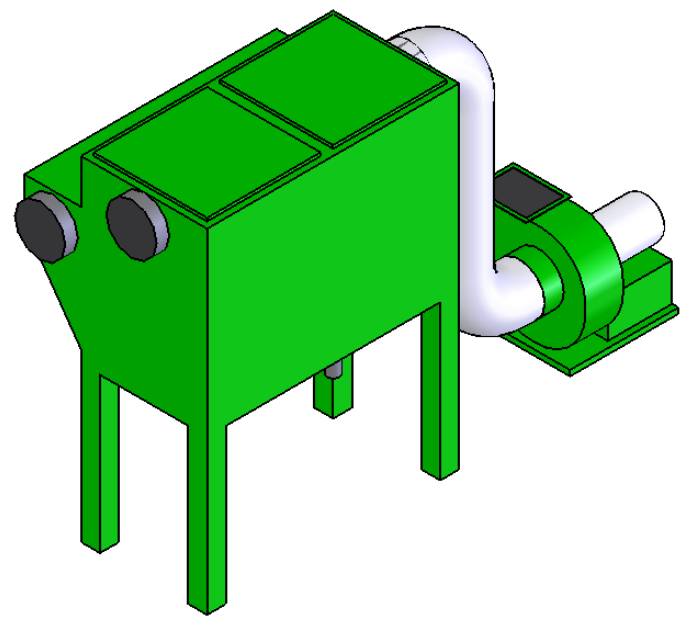
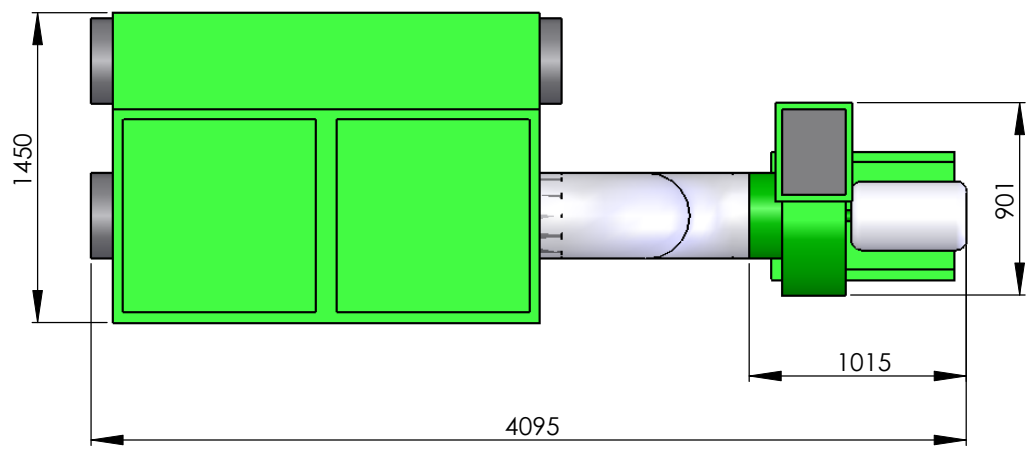
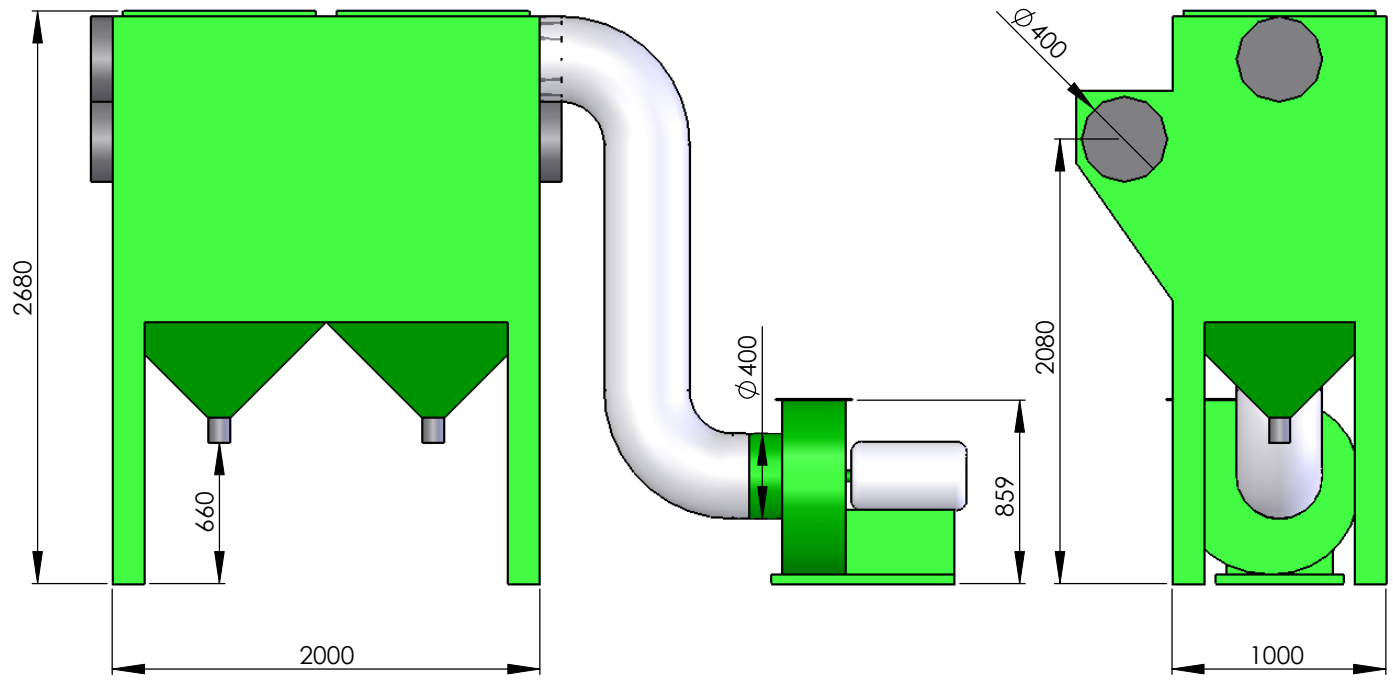
Weight = 640 kg

MUNKEBO CLEMCO A/S SMEDELØKKEN 5-7 TLF.: +45 65 97 43 80 DK-5330 MUNKEBO FAX: +45 65 97 47 45 WWW.MUNKEBO.COM INFO@MUNKEBO.COM	Format: A3	Date: 24.04.09	Drawn by: LA
	Page: 1 of 1	Rev. date:	Scale: 1:20
Description: DUST COLLECTOR MB-2000D / MBX-37A		Drawing no.: 9,1294	



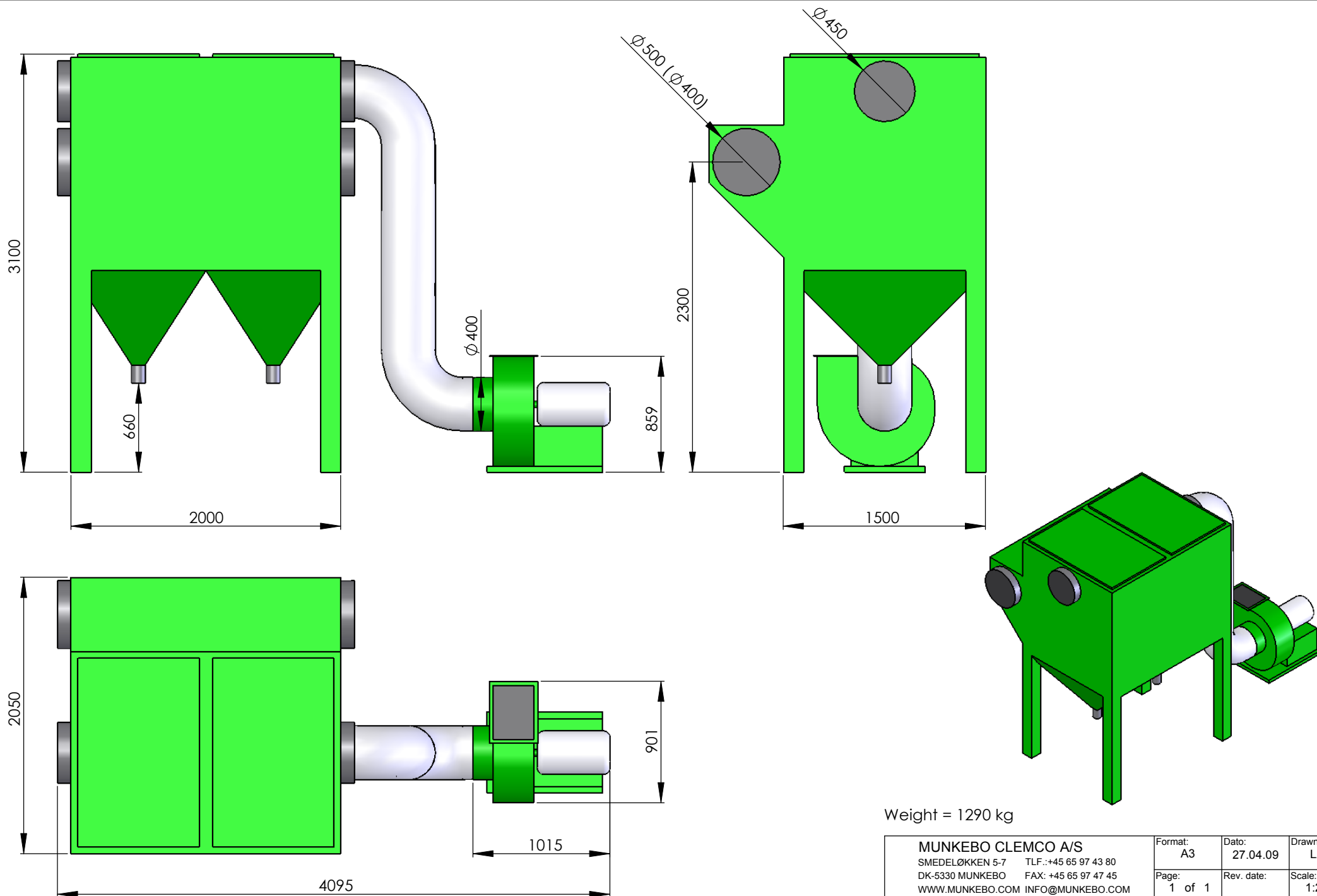
Weight = 950 kg

MUNKEBO CLEMCO A/S SMEDELØKKEN 5-7 TLF.: +45 65 97 43 80 DK-5330 MUNKEBO FAX: +45 65 97 47 45 WWW.MUNKEBO.COM INFO@MUNKEBO.COM	Format: A3	Date: 24.04.09	Drawn by: LA
	Page: 1 of 1	Rev. date:	Scale: 1:25
Description: DUST COLLECTOR MB-5000D / MBX-104A		Drawing no.: 9,1357	



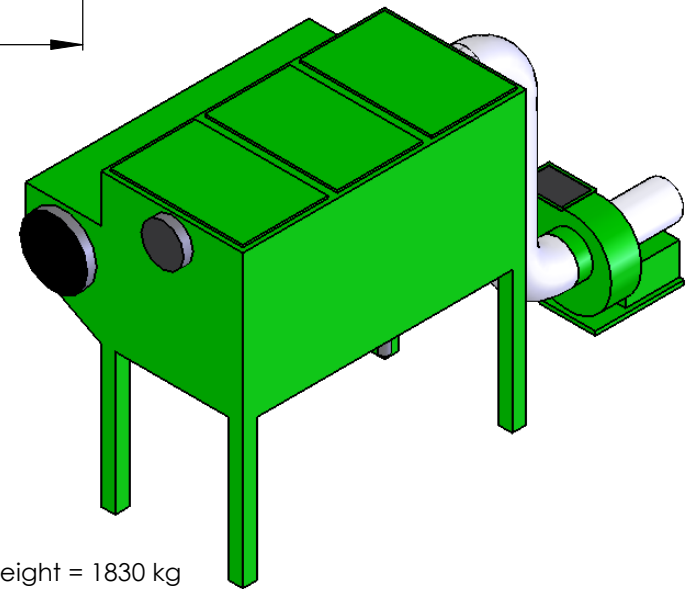
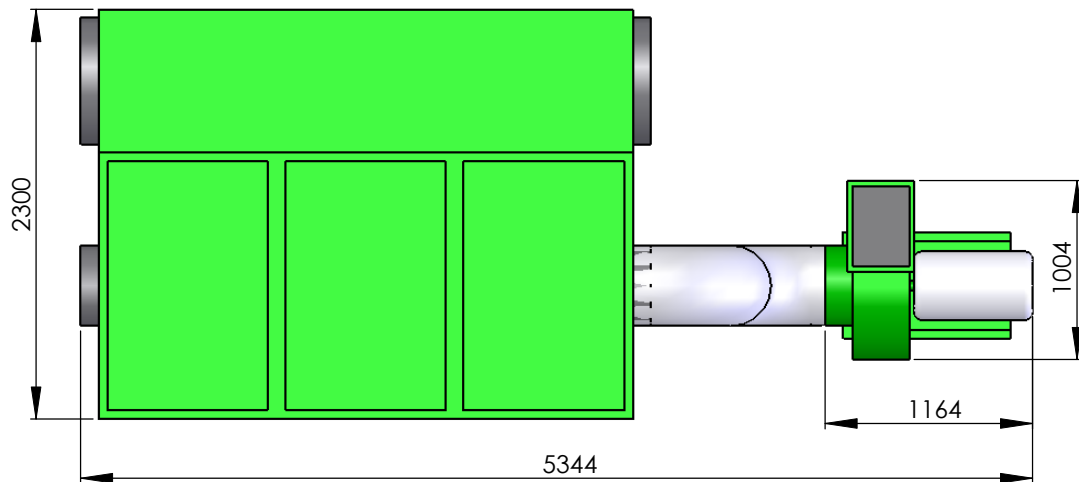
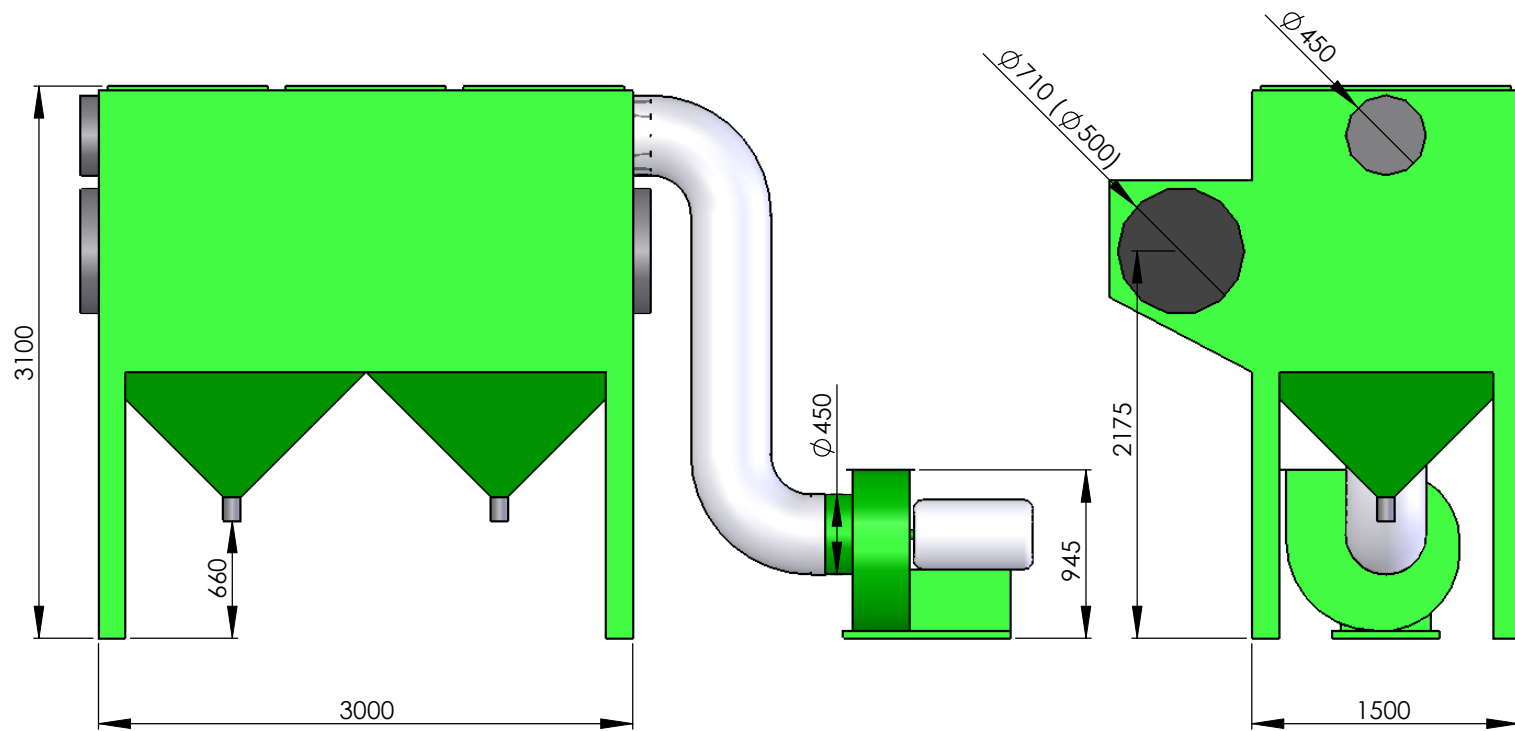
Weight = 1040 kg

MUNKEBO CLEMCO A/S SMEDELØKKEN 5-7 TLF.: +45 65 97 43 80 DK-5330 MUNKEBO FAX: +45 65 97 47 45 WWW.MUNKEBO.COM INFO@MUNKEBO.COM	Format: A3	Date: 27.04.09	Drawn by: LA
	Page: 1 of 1	Rev. date:	Scale: 1:25
Description: DUST COLLECTOR MB-7500D / MBX-104A		Drawing no.: 9,1382	



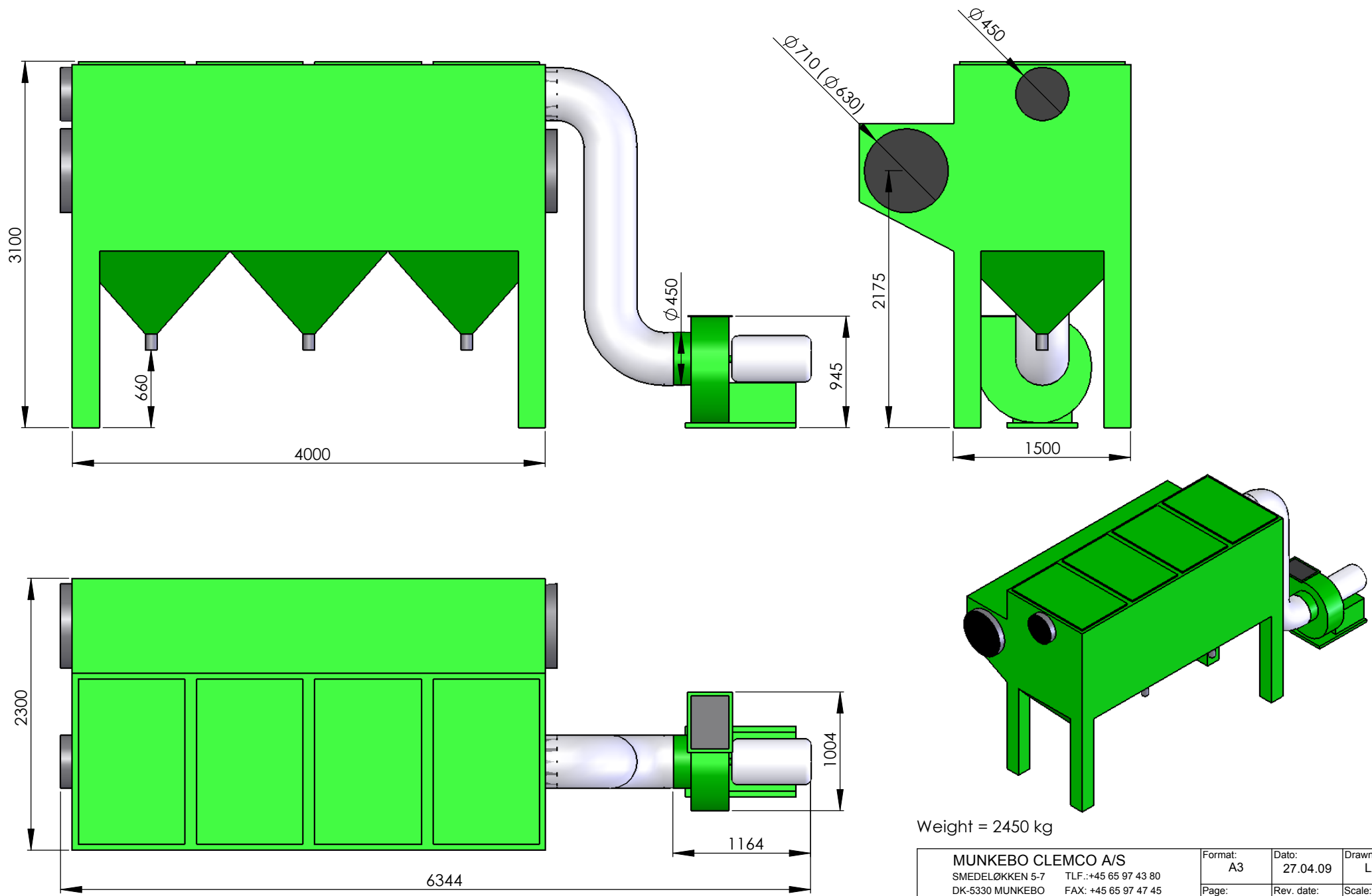
Weight = 1290 kg

MUNKEBO CLEMCO A/S SMEDELØKKEN 5-7 TLF.: +45 65 97 43 80 DK-5330 MUNKEBO FAX: +45 65 97 47 45 WWW.MUNKEBO.COM INFO@MUNKEBO.COM	Format: A3	Date: 27.04.09	Drawn by: LA
	Page: 1 of 1	Rev. date:	Scale: 1:25
Description: DUST COLLECTOR MB-10000D / MBX-156A		Drawing no.: 9,1358	



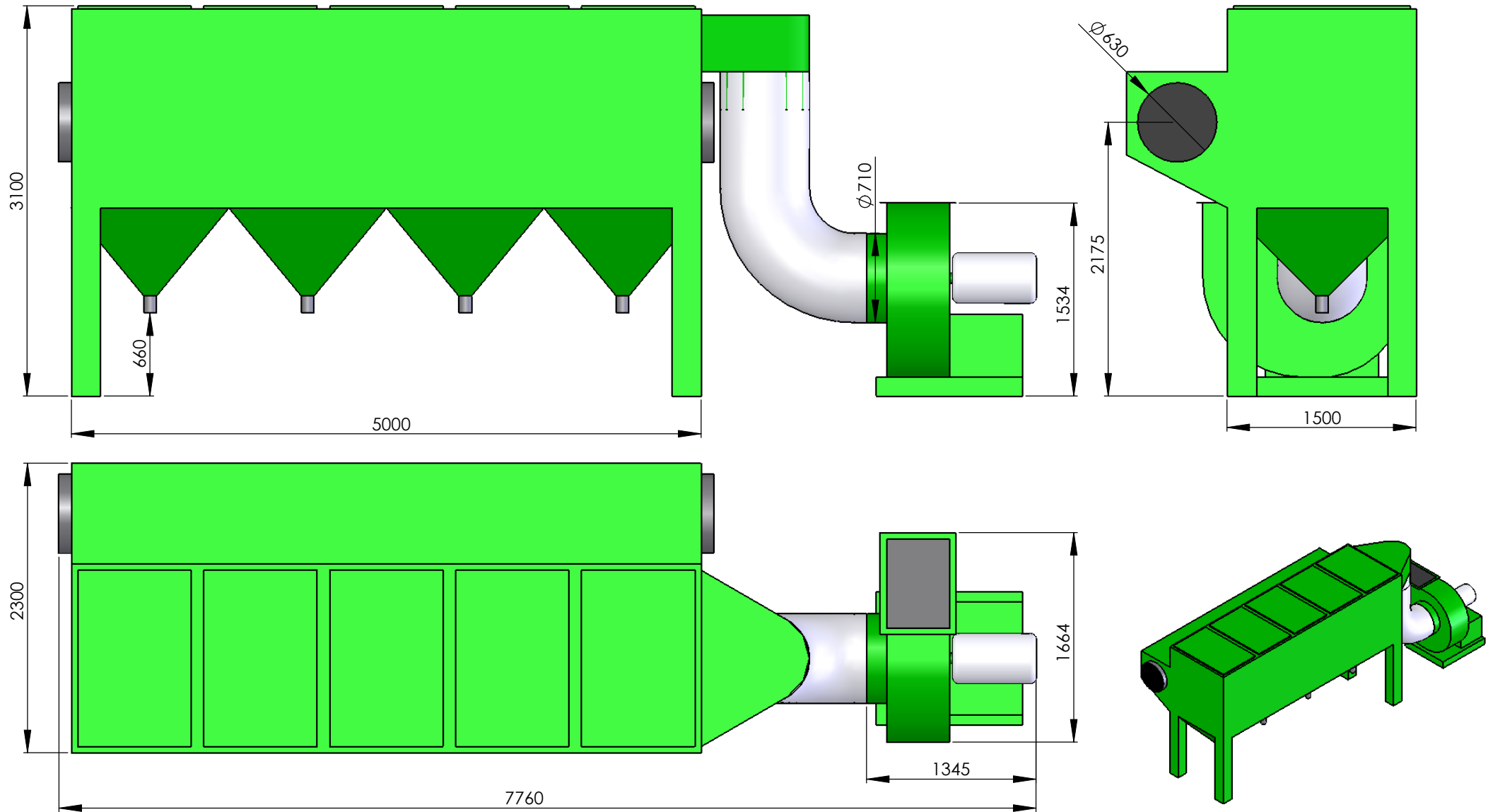
Weight = 1830 kg

MUNKEBO CLEMCO A/S SMEDELØKKEN 5-7 TLF.: +45 65 97 43 80 DK-5330 MUNKEBO FAX: +45 65 97 47 45 WWW.MUNKEBO.COM INFO@MUNKEBO.COM	Format: A3	Date: 27.04.09	Drawn by: LA
	Page: 1 of 1	Rev. date:	Scale: 1:30
Description: DUST COLLECTOR MB-15000D / MBX-234A		Drawing no.: 9,1359	



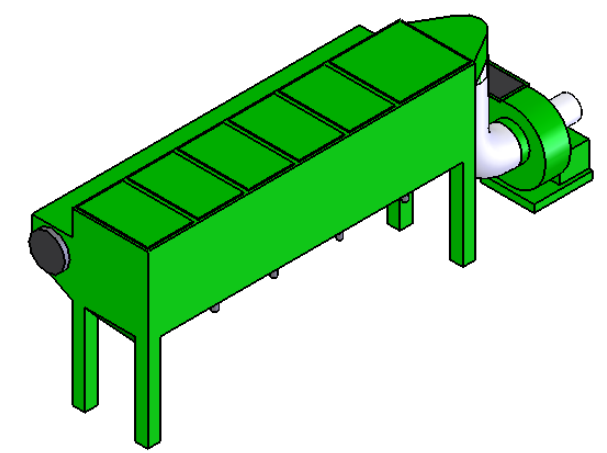
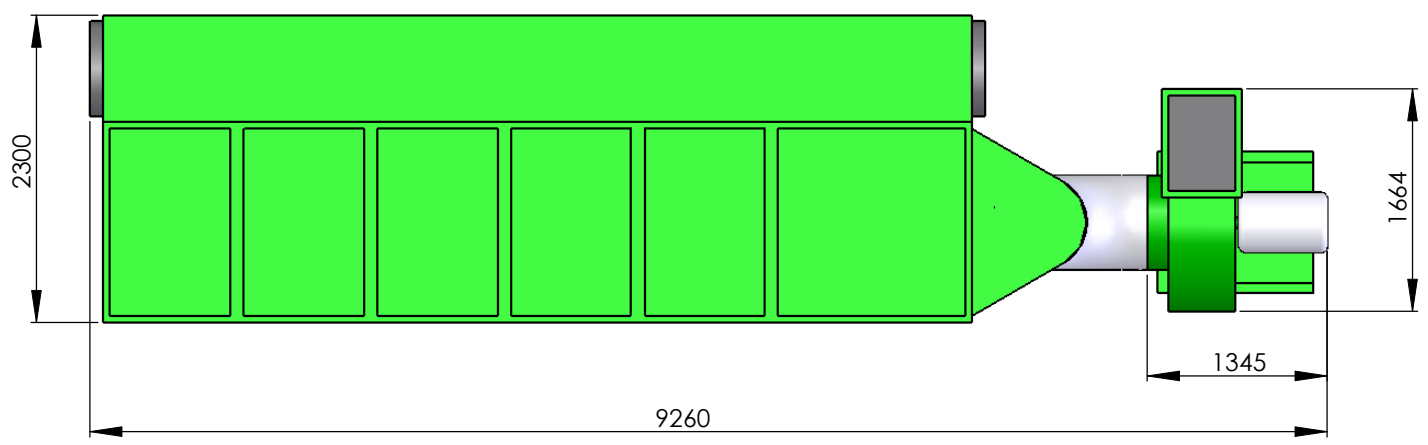
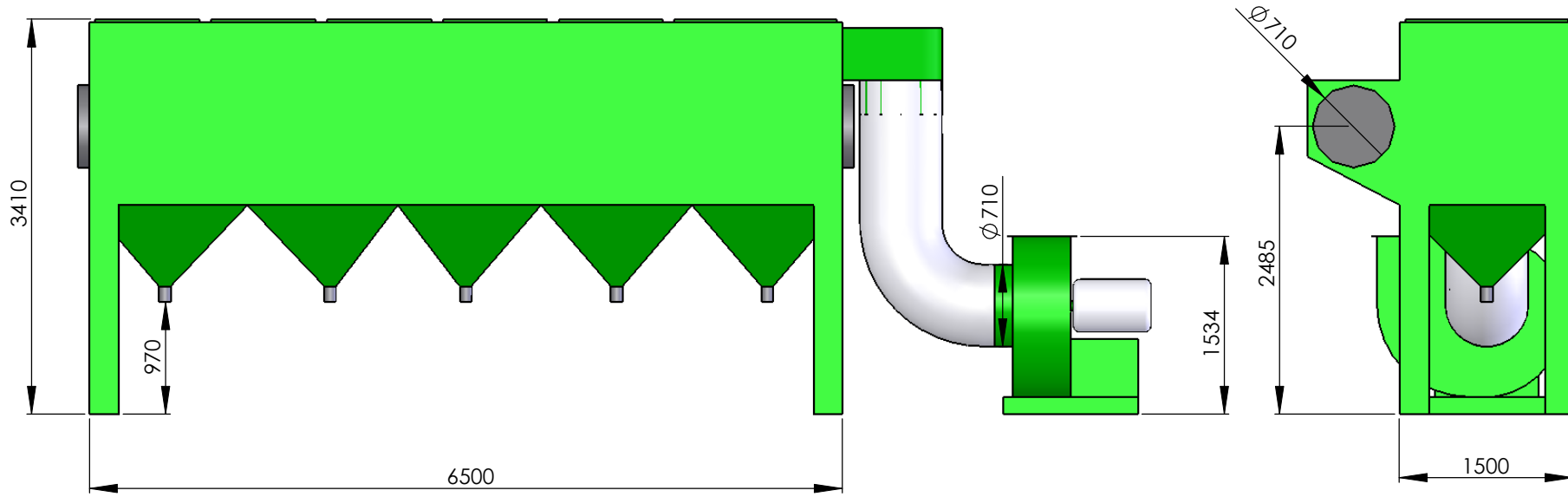
Weight = 2450 kg

MUNKEBO CLEMCO A/S SMEDELØKKEN 5-7 TLF.: +45 65 97 43 80 DK-5330 MUNKEBO FAX: +45 65 97 47 45 WWW.MUNKEBO.COM INFO@MUNKEBO.COM	Format: A3	Date: 27.04.09	Drawn by: LA
	Page: 1 of 1	Rev. date:	Scale: 1:30
Description: DUST COLLECTOR MB-20000D / MBX-312A		Drawing no.: 9,1360	



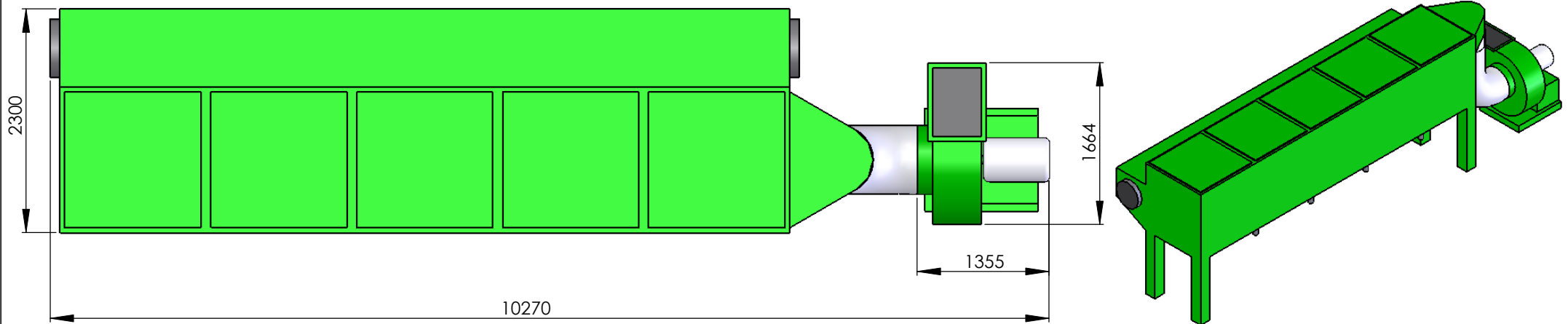
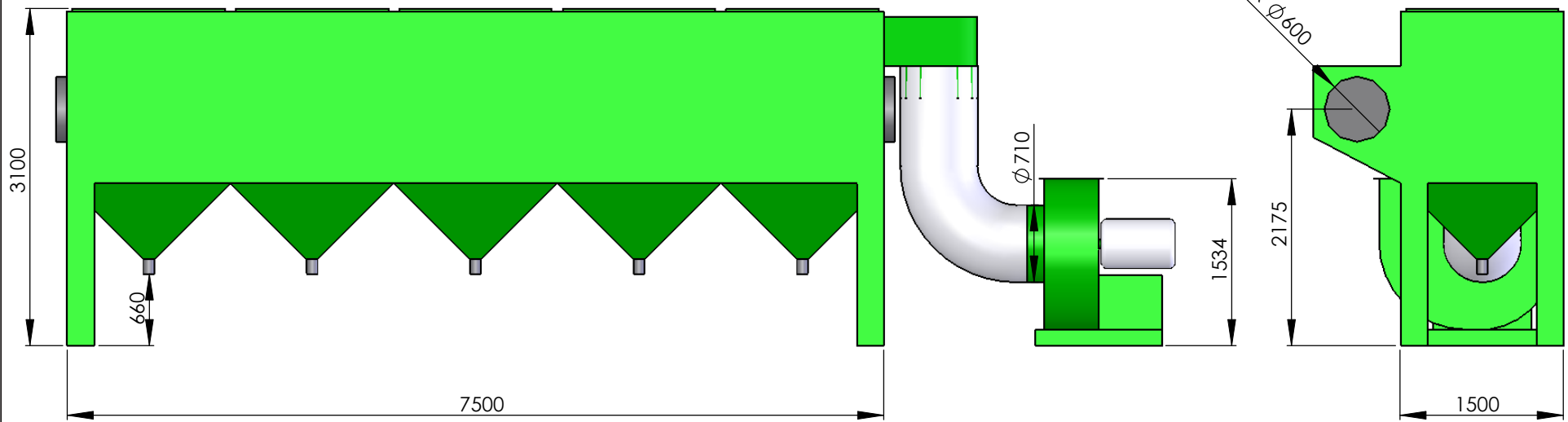
Weight = 3320 kg

MUNKEBO CLEMCO A/S SMEDELØKKEN 5-7 TLF.: +45 65 97 43 80 DK-5330 MUNKEBO FAX: +45 65 97 47 45 WWW.MUNKEBO.COM INFO@MUNKEBO.COM	Format: A3	Date: 27.04.09	Drawn by: LA
	Page: 1 of 1	Rev. date:	Scale: 1:30
Description: DUST COLLECTOR MB-25000D / MBX-390A		Drawing no.: 9,1361	



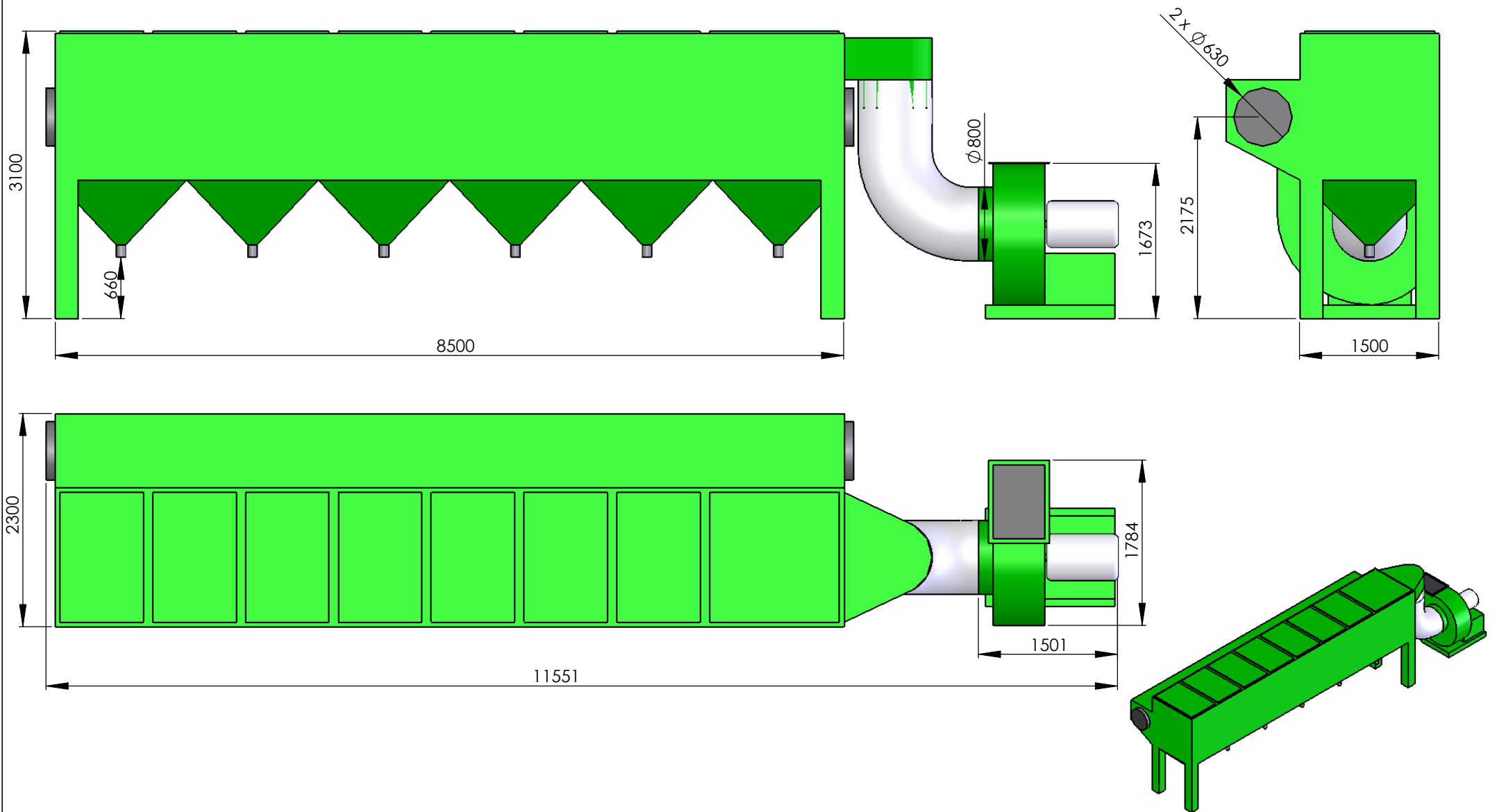
Weight = 3920 kg

MUNKEBO CLEMCO A/S SMEDELØKKEN 5-7 TLF.: +45 65 97 43 80 DK-5330 MUNKEBO FAX: +45 65 97 47 45 WWW.MUNKEBO.COM INFO@MUNKEBO.COM	Format: A3	Date: 27.04.09	Drawn by: LA
	Page: 1 of 1	Rev. date:	Scale: 1:40
Description: DUST COLLECTOR MB-30000D / MBX-507A		Drawing no.: 9,1362	



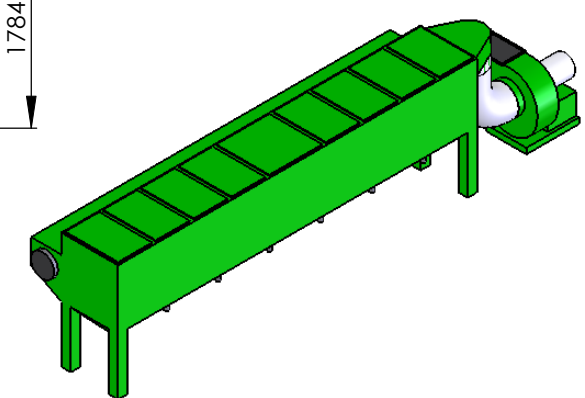
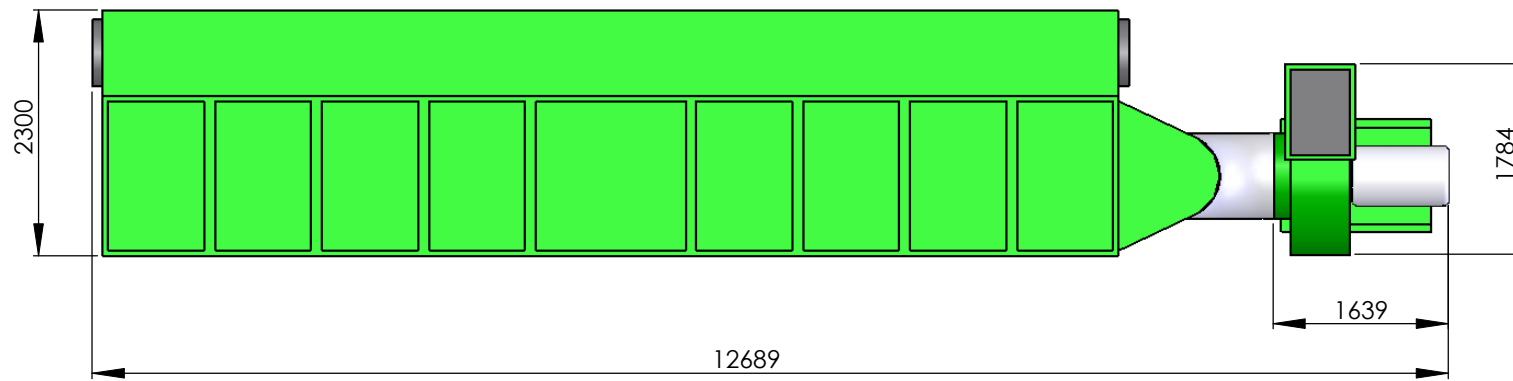
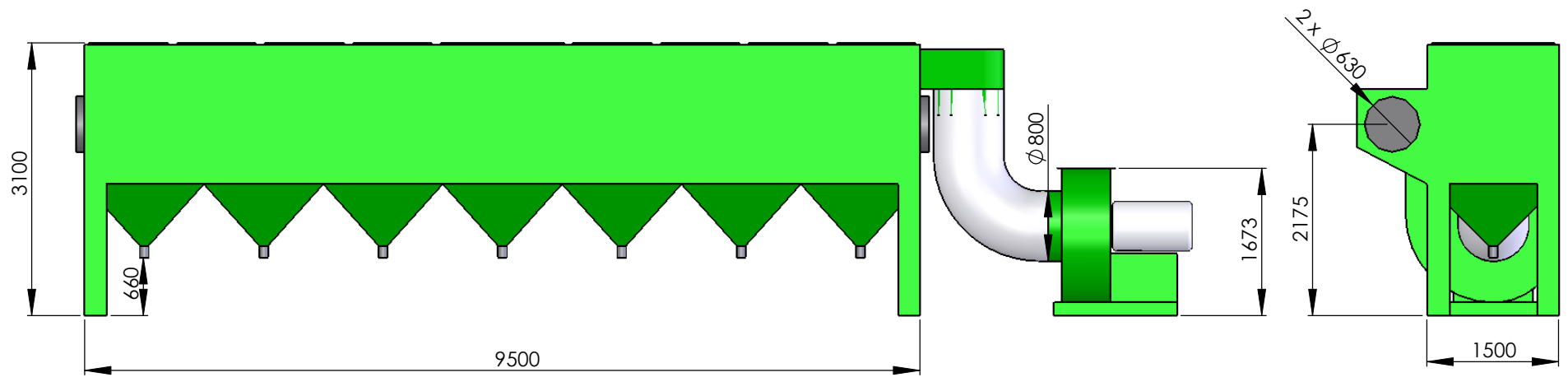
Weight = 4350 kg

MUNKEBO CLEMCO A/S SMEDELØKKEN 5-7 TLF.: +45 65 97 43 80 DK-5330 MUNKEBO FAX: +45 65 97 47 45 WWW.MUNKEBO.COM INFO@MUNKEBO.COM	Format: A3	Date: 27.04.09	Drawn by: LA
	Page: 1 of 1	Rev. date:	Scale: 1:40
Description: DUST COLLECTOR MB-35000D / MBX-585A		Drawing no.: 9,1363	



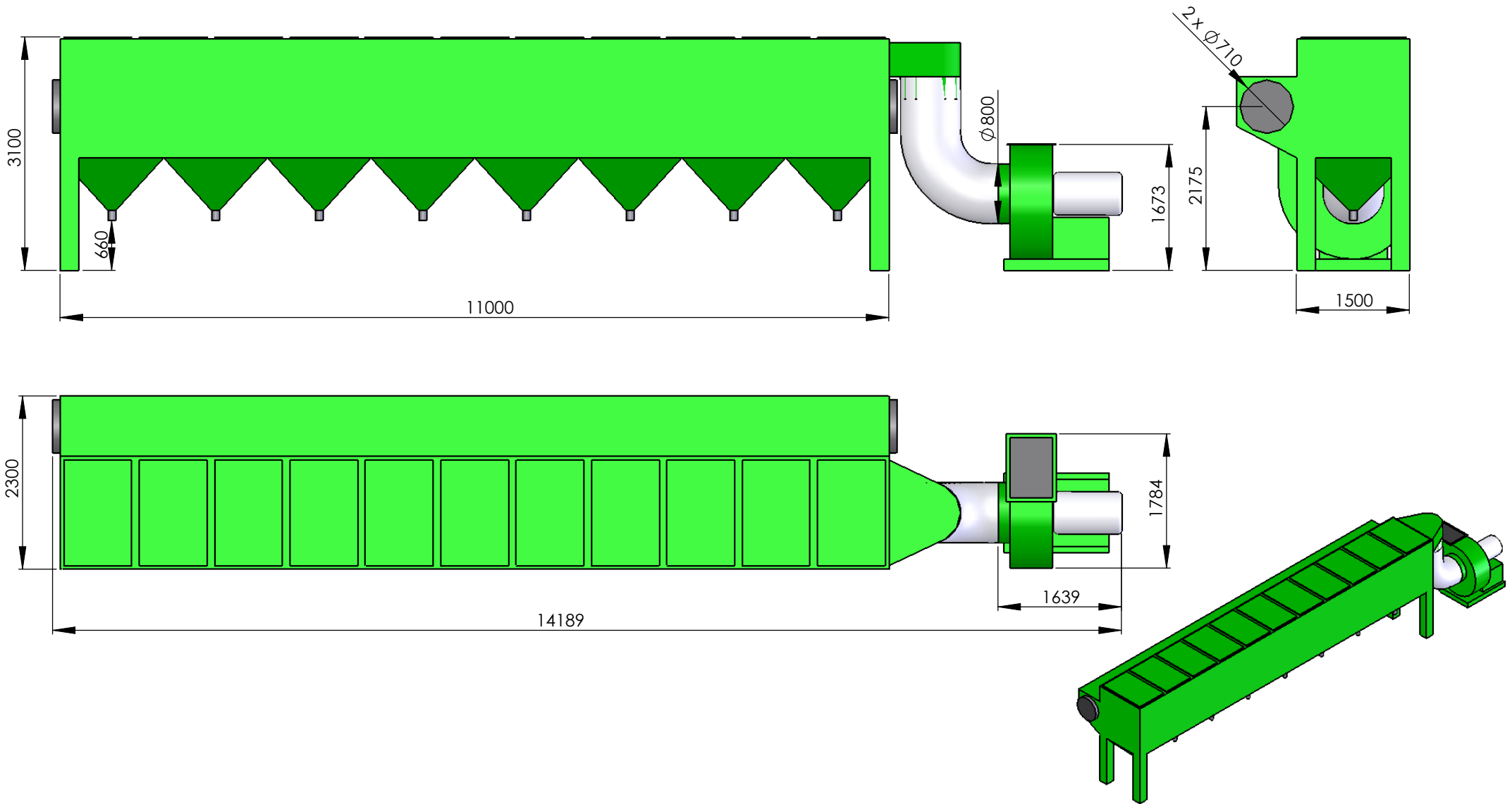
Weight = 4900 kg

MUNKEBO CLEMCO A/S SMEDELØKKEN 5-7 TLF.: +45 65 97 43 80 DK-5330 MUNKEBO FAX: +45 65 97 47 45 WWW.MUNKEBO.COM INFO@MUNKEBO.COM	Format: A3	Date: 27.04.09	Drawn by: LA
	Page: 1 of 1	Rev. date:	Scale: 1:40
Description: DUST COLLECTOR MB-4000D / MBX-663A		Drawing no.: 9,1364	



Weight = 5500 kg

MUNKEBO CLEMCO A/S SMEDELØKKEN 5-7 TLF.: +45 65 97 43 80 DK-5330 MUNKEBO FAX: +45 65 97 47 45 WWW.MUNKEBO.COM INFO@MUNKEBO.COM	Format: A3	Date: 27.04.09	Drawn by: LA
	Page: 1 of 1	Rev. date:	Scale: 1:50
Description: DUST COLLECTOR MB-45000D / MBX-741A		Drawing no.: 9,1365	



Weight = 6100 kg

MUNKEBO CLEMCO A/S SMEDELØKKEN 5-7 TLF.: +45 65 97 43 80 DK-5330 MUNKEBO FAX: +45 65 97 47 45 WWW.MUNKEBO.COM INFO@MUNKEBO.COM	Format: A3	Date: 27.04.09	Drawn by: LA
	Page: 1 of 1	Rev. date:	Scale: 1:50
Description: DUST COLLECTOR MB-5000D / MBX-858A		Drawing no.: 9,1366	